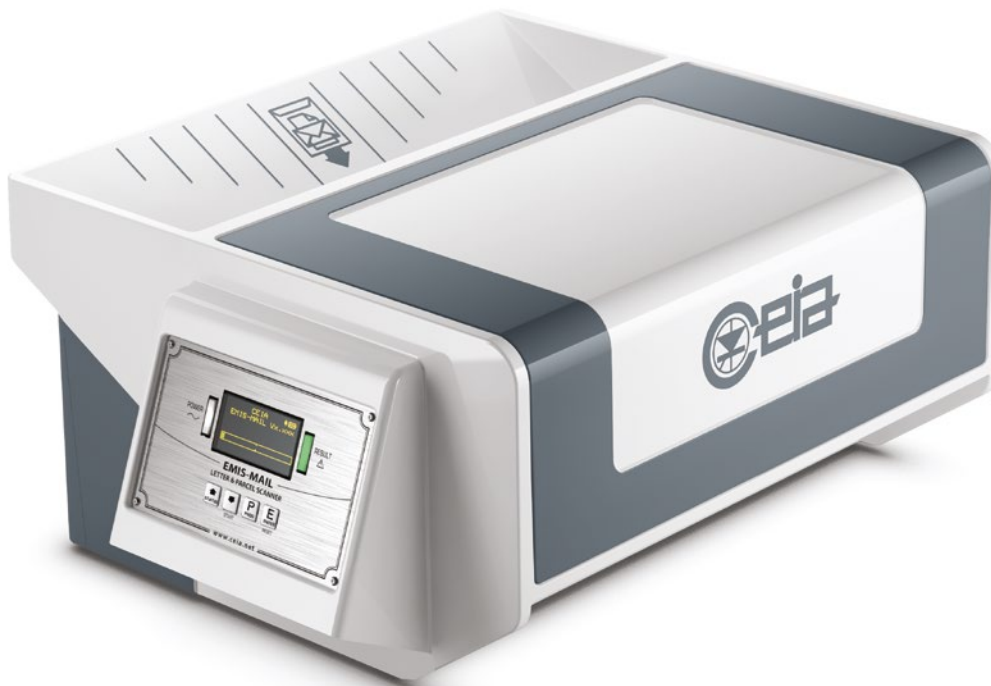


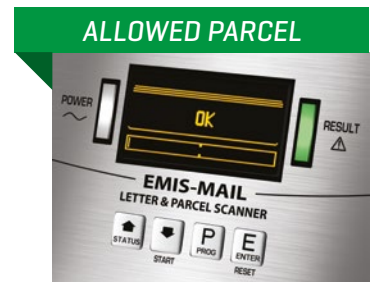


EMIS-MAIL

LETTER BOMB AND IED DETECTOR FOR MAIL AND PARCEL INSPECTION



According to EU Reg. 185/2010
on mail security inspection



- Automatic inspection of parcels and letters up to 45 cm in width and 7.5 cm thickness
- Detection of detonators, batteries, trigger circuits and other metal components of parcel bombs
- No alarm on metal staples, paper-clips and metal binding spirals
- Ergonomic, compact design
- Confirmation of signal [OK/ALARM] for each package inspected
- Operates on the mains power supply and with NiMH rechargeable batteries (optional)
- No calibration or periodic maintenance required
- Integrated battery charger
- Optional embedded detector of radioactive materials

Scan QR code to see
the EMIS-MAIL video



www.ceia.net



Threat Detection through Electromagnetics

SPECIFICATIONS

KEY FEATURES	High inspection speed	
	No alarm on metal staples, paper-clips and metal binding spirals	
	Digital programming with high-resolution OLED graphic display	
	Optical and acoustic alarm signaling	
	Integrated autodiagnosis system	
	Permanent memory storage of operating parameters without back-up batteries	
	Independent operation, with mains power supply or batteries (optional)	
	Specific Settings available for Prison parcels inspection (Dept. of Justice requirements)	
	Compliant with NIJ-0602.02 Dept. of Justice Detection requirements	
	STRUCTURE	Transit opening
Degree of protection		IP40
DIMENSIONS	450 mm x 565 mm x 250 mm (WxDxH)	
WEIGHT	16 kg	
POWER SUPPLY	Voltage	100-240 V~ single-phase – 50/60 Hz with external AC/DC adapter
	Current	1.07 A max
	Battery operation (optional)	6 x 1.2V NiMH size D Battery life: 12 hours Battery-charger incorporated: recharging time 6 hours
PROGRAMMING	Type	Local: via integrated keypad Remote: via Bluetooth, RS232
	Data Logger Memory capacity	10.000 events
SIGNALLING	Acoustic	Internal buzzer
	Optical	High-contrast OLED graphic display with bar-graph indication
		LED indicators on the control panel
SECURITY/SAFETY	Access to programming protected by password	
	Insulation from mains voltage	
COMMUNICATION	Incorporated Bluetooth (FCC ID: Q0QWT12 - IC:5123A-BGTWT12A) interface, RS232	
ENVIRONMENTAL DATA	Temperature	Operating -10 to +50 °C Storage -25 to +60 °C
	Relative humidity	5 to 90 %, without condensation
CONFORMITY*	SAFETY	EN61010-1
		ACGIH, 2014 Threshold Limit Value (TLV)
		IEEE C95.1-2005
		EC-Rec. 1999/519/EC
	EMC	EN 50364:2010
*Test Reports available upon request	EN61000-6-1	
	EN61000-6-3	
	RED	EN300330: Short Range Devices (SRD)
NATO STOCK NUMBER	6665150105807	

ACCESSORIES / OPTIONS

GAMMA RADIATION DETECTION

A detector of radioactive sources can be included on demand. The gamma alarm indication includes the activity level (low/medium/high) and the CPS value (counts per second).

Analysis time: 5 seconds

TRANSPORT CASE

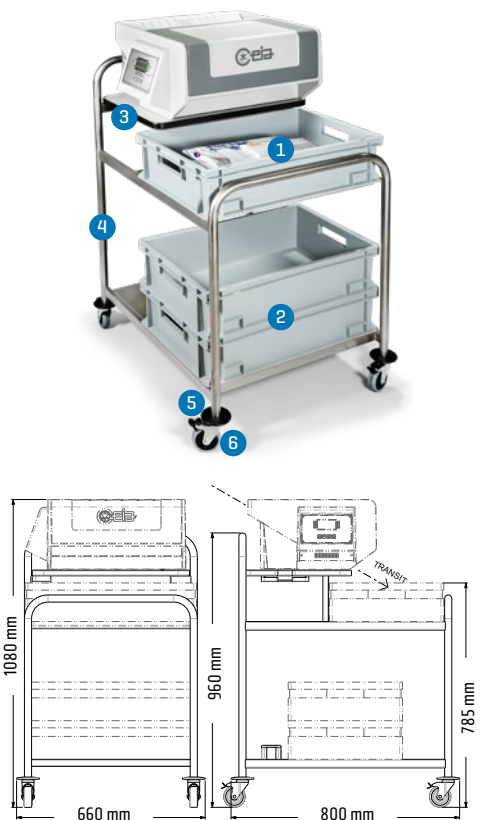
Code 67226

EMIS-MAIL MOBILE STATION

Code 76332

- Robust Stainless-Steel Cart, specially designed for optimal use of EMIS-MAIL.
- Includes up to three Plastic Boxes for mail collection.
- Wheels and locking brakes allow comfortable mobile deployment.

- 1 Plastic box for mail and parcels collection
- 2 Service/replacement box (3 Pcs.)
- 3 Seat reference test samples
- 4 AISI 304 frame
- 5 Frame protection
- 6 Pivoting wheels + brake (4)



CEIA - Zona Industriale 54/G, 52041 Vicinaggio - Arezzo [ITALY]

Tel.: +39 0575 4181 • Fax: +39 0575 418298 • E-mail: infosecurity@ceia-spa.com

www.ceia.net

CEIA reserves the right to make changes, at any moment and without notice, to the models, their accessories and options, to the prices and conditions of sale. DP210K0007V1000hUK-66550

