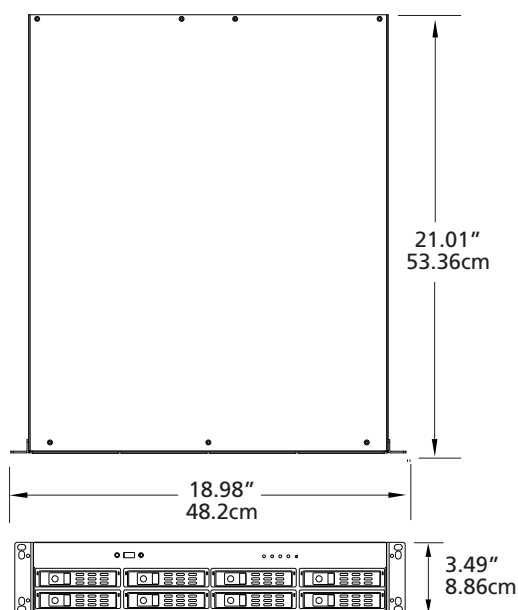


9248 IP Recorder

High-capacity, high-definition IP recording platform



For customers who are planning an all-IP installation, and require a powerful recorder with high throughput, the **9248 IP Recorder** from March Networks® accommodates up to 48 IP cameras and provides a total bandwidth capacity of 300 Mbps. The 9248 recorder delivers high-definition video that's always there when you need it, and the advanced tools that allow you to quickly find the evidence you need. Our solutions help you get your job done faster — from installation to investigation — with these appliance-based recorders as the backbone.



Key Benefits

- ▼ **More bandwidth per IP channel.** The recorder accommodates a total recording rate of up to 300 Mbps, with no set limit per camera channel.
- ▼ **High capacity storage.** Store HD video for several weeks, or even months (depending on camera video quality).
- ▼ **All camera licenses included.** No need to pay for separate channel licenses; benefit from a full-featured recording platform right out of the box.
- ▼ **Powerful Video Management Software.** With March Networks Command™ VMS, customers are equipped with the features and tools they'll need to easily manage their video surveillance system.
- ▼ **Configurable recording policies.** Record video based on user-definable variables like schedule, motion, analytics, etc.
- ▼ **Embedded, Linux-based, and purpose-built.** Customers can spend more time performing investigations and less time dealing with maintenance issues that can plague a PC-based recorder.
- ▼ **Front panel LEDs for easy diagnostics.** Dedicated LEDs indicate the status of each individual hard drive, and diagnostic LEDs convey information about the recorder in general, as well as operational, recording, and export status.
- ▼ **Real-time health monitoring.** Be alerted to camera, recorder and network issues within seconds.
- ▼ **Easy access to hard drives by authorized personnel.** All HDDs are accessible via the front panel for hassle-free replacement. Each drive is equipped with its own locking mechanism to prevent unauthorized access.
- ▼ **QR Code.** Use March Networks' free GURU Smartphone App to scan the recorder's front panel QR code for instant product information, like serial number, warranty information, etc.

Secure your facility with up to 48 HD IP cameras and recognize the power of the recorder's high-bandwidth performance.

9248 IP Recorder

VIDEO

Video Support	H.264, MPEG4, MPEG, MJPEG
Max IP Camera Inputs	48 (dual stream support)
Camera Licensing	48 channel licenses included out-of-box
IP Camera Performance	300 Mbps (Avg 6.25 Mbps / camera)
Video Output	HDMI
Analog Support	Via encoder

AUDIO

Audio Support	Facilitated via audio-enabled cameras
----------------------	---------------------------------------

NETWORK

Network 1	GigE port for connection to corporate network
Network 2	GigE port for connection to camera network
Security	Industry standard TLS 1.2 with strong AES encryption, HTTPS encryption, strong hashing algorithms SHA256, continuous security vulnerability assessment
Interface	10/100/1000Base-T Ethernet (2 x RJ-45)

SYSTEMS / NETWORK MANAGEMENT

Operating System	Linux
Bandwidth Throttle	On a per-recorder basis, control which clients receive full bandwidth and which get controlled bandwidth
Bandwidth Scheduling	Yes
Remote Connection	TCP/IP (IPv4)
Concurrent Remote Connections	No set limit

ANALYTICS

Analytics Support	Facilitated via analytics-enabled cameras
--------------------------	---

STORAGE

Internal Hard Drives	Up to 8 3.5" HDDs
Individual Drive Capacity	Up to 10TB
Total Storage Capacity	Up to 80TB
Drive Type	Serial ATA (SATA)
Mirroring	Yes

PHYSICAL

Dimensions (H x W x D)	3.5 x 19.0 x 21.0 in (8.86 x 48.2 x 53.36 cm)
Mounting	2U high, 19", 4 post server rack mount. Recorder ships with rails.
Weight: Recorder	25.64 lbs (11.63 Kg)
Hard Drive	Add 1.7 lbs (0.8 kg) per HDD

ENVIRONMENTAL

Operating Temperature	32° to 104° F(0° to 40° C)
Heat Dissipation	Maximum 188 BTU per hour (system plus 4 hard drives)
Humidity	5% to 95% RH (non-condensing)
Storage Conditions	-40°F to 158°F (-40°C to 70°C)

ELECTRICAL

Internal Power Supply	115/230 VAC (auto-sensing), 2.3A, 50-60Hz
Power Consumption	85W typical; 210W max
Systematic Shutdown	Via internal battery; no external UPS communication required

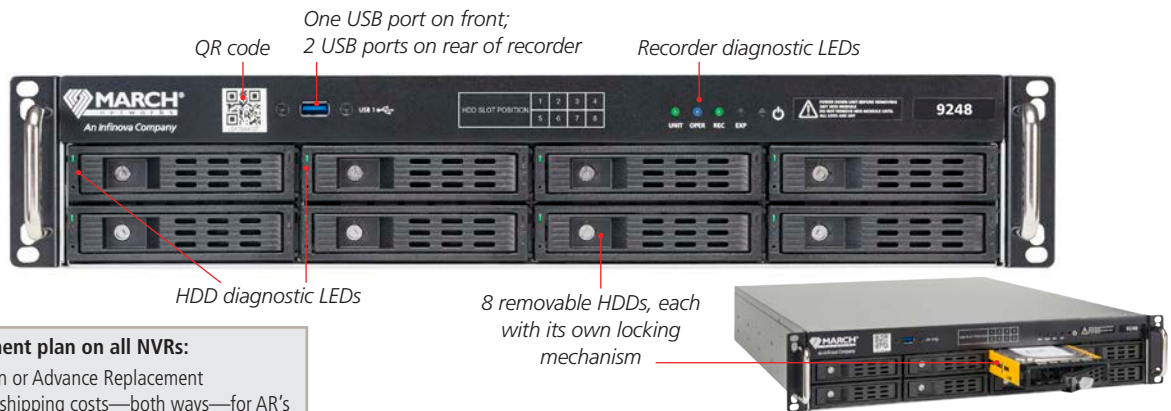
REGULATORY

Safety	IEC60950-1 (ed.2), UL 60950-1 (ed.2), CSA C22.2 No. 60950-1-07 (ed.2)
EMC	FCC 47 CFR Part 15, Subpart 15, ICES-003, EN55032, CISPR32 and AS/NZS CISPR32, EN61000-3-2, EN 61000-3-3, EN50130-4, EN55024
Compliance Marking	CE-mark, cULus, RCM, WEEE
Environmental Compliance	ROHS and WEEE

ORDERING INFORMATION

Recorders	
34532-101	9248 Recorder, 1 x 8 TB
34532-102	9248 Recorder, 2 x 8 TB
34532-103	9248 Recorder, 3 x 8 TB
34532-104	9248 Recorder, 4 x 8 TB
34532-105	9248 Recorder, 5 x 8 TB
34532-106	9248 Recorder, 6 x 8 TB
34532-107	9248 Recorder, 7 x 8 TB
34532-108	9248 Recorder, 8 x 8 TB
34532-108	9248 Recorder, 8 x 8 TB
34532-116	9248 Recorder, 8 x 10TB
Accessories	
VMS-ALM-IO-16	Command I/O Board for Alarms

9248 Front Panel



2-year Advance Replacement plan on all NVRs:

- Options for Repair & Return or Advance Replacement
- March Networks incurs all shipping costs—both ways—for AR's
- All NVR components are covered, including HDDs

North America 1 800 563 5564
 Latin America +5255 5259 9511
 Europe +39 0362 17935
 Asia +65 6818 0963
 Australia and New Zealand +61 1300 089 419
 Middle East and Africa +971 4 399 5525

© 2018. March Networks, An Infinova Company. All rights reserved. Information in this document is subject to change without notice. MARCH NETWORKS, March Networks Command, March Networks Searchlight, March Networks RideSafe, and the MARCH NETWORKS logo are trademarks of March Networks Corporation. Infinova is a trademark of Infinova Corporation. All other trademarks are the property of their respective owners. 060-3306-00-8 marchnetworks.com

