

# ME4 Outdoor IR Bullet Camera

4MP bullet camera with High Dynamic Range (HDR) and built-in IR for outdoor applications



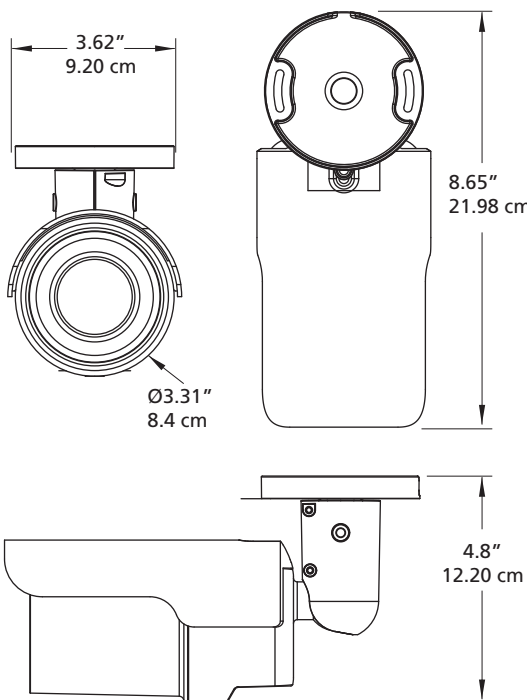
Shown with optional pole mount



Shown with optional wall mount



For customers who need to monitor activity in a variety of lighting conditions, from bright light to complete darkness, the **ME4 Outdoor IR Bullet Camera** integrates IR LEDs, HDR, and 4MP resolution to guarantee superior image quality, regardless of lighting. One of the models incorporates a P-Iris, which maintains image sharpness, even in varying outdoor lighting conditions.



## Key Benefits

- ▼ **4MP resolution.** Twice the amount of pixels as 1080p, 4MP delivers the perfect amount of detail to see facial features, bill dominations, etc.
- ▼ **Save money on storage and bandwidth.** The camera's low bit rate (LBR) setting reduces storage and bandwidth usage by 50% or more in most applications; streams can drop below 1Mbps at 4MP (15 fps).
- ▼ **Choice of lenses.** Choose between a 2.7-12mm lens with a P-Iris or a 9-22mm DC iris lens with autofocus.
- ▼ **High Dynamic Range (HDR).** The camera blends the best parts of several separate exposures together to combine the most focused, well-lit, and colorful parts of the scene.
- ▼ **Integrated Smart IR.** The built-in LEDs provide uniform illumination in total darkness, which means users will see high-quality, low-noise video from over 164 feet (50 meters) away. Additionally, the camera automatically adjusts the intensity of the LEDs to compensate for the distance of an object, so the object is not overexposed when it gets too close to the camera.
- ▼ **Remote zoom and focus.** No need to manually zoom and focus from the top of a ladder. Installers can zoom in and out remotely with the click of a mouse.
- ▼ **Widescreen monitor display.** The video is displayed in a 16:9 aspect ratio on the monitor, which makes use of the full monitor.

*See clear images in the dark from over 164 feet (50 meters) away, with a guaranteed watertight installation.*

# ME4 Outdoor IR Bullet Camera

CAMERA	
Image Sensor	1/3" Progressive Scan CMOS
Effective Pixels	4MP; 2688 (H) x 1520 (V)
Lens	33166-101: 2.7-12mm, F1.7, P-iris, varifocal 33166-102: 9-22mm, F1.6, DC iris, Autofocus
Field of View	33166-101: 102° (Wide); 31° (Tele) 33166-102: 34° (Wide); 15° (Tele)
High Dynamic Range (HDR)	120dB
Day/Night Functionality	Smart IR LED
Minimum Illumination	Color: 0.1 lux; B/W: 0.01 lux; IR on: 0.0 lux
Shutter Speed	1/10000s
Pat/Tilt/Zoom	Optical Zoom, Digital PTZ via Command
White Balance	Manual/Automatic
IR Wavelength	850nm
IR Illumination Distance	50m (164 feet)
Number of LEDs	6
VIDEO	
Video Compression	H.264, M-JPEG
Resolution	4MP (2688 x 1520), 3MP, Full HD 1080p, SXGA, 720p, XGA, SVGA, D1, VGA, CIF
Frame Rate	Up to 25/30fps @ 4MP (2688 x 1520)
Video Streaming Dual	H.264 4MP (2688 x 1512) @25/30fps + H.264 D1 @ 25/30fps (one of the streams ≤2MP can be set as M-JPEG) H.264 Full HD (1920 x 1080) @ ≤25/30fps + H.264 Full HD (1920 x 1080) @ ≤25/30fps
Quad	H.264 4MP (2688 x 1512) @25/30fps + H.264 SVGA @ 15fps + H.264 CIF @ 15fps + H.264 CIF @ 15fps
Image Settings	Iris control, backlight compensation, white balance, noise reduction, wide dynamic range, privacy mask, brightness, exposure, sharpness, contrast, saturation, hue, IR configuration, day/night threshold
AUDIO	
Audio Streaming	Two-way
Audio Compression	G.711 PCM
Audio Input/Output	Line in/line out
NETWORK	
Security	Password protection, HTTPS encryption (configuration only), IEEE 802.1X
Supported Protocols	IPv4/v6, TCP/IP, UDP, RTP, RTSP, HTTP, HTTPS, DHCP, PPPoE, UPnP, QoS, ONVIF-S
Interface	RJ-45, 10/100Mbps Ethernet
Internet Browser	Internet Explorer (10+)

SYSTEM INTEGRATION	
Alarms	Two alarm inputs, one relay output
Intelligent Video	Video motion detection, active video tampering, privacy zones
Alarm Trigger	Motion detection, video tampering, external input, audio detection
Alarm Events	Video recording to local storage (SDXC, 64GB support), external output activation

GENERAL	
Power	PoE (802.3 af, Class 0); 12VDC/24VAC
Power Consumption	3.64W typical Motorized lens: +1.1W IR LED: +4W Heater: +4W SD Card: +0.6W
LED Indicator	Power, ACT
Connectors	Alarm: Terminal Block Power: Terminal Block Ethernet: RJ-45 Analog Video: BNC Audio: Phone jack RS-485: D+ & D- wires
Local Storage	SDXC memory card up to 64GB (sold separately)
Operating Conditions	-67° to 131°F (-55° to 55°C); 10-90% RH, non-condensing
Weatherproof Standard	IP66
Weight	1.73 lbs (0.79 Kg)
Dimensions	Ø 3.54 x 10.6 L in (Ø 9.0 x 27.0 L cm)
Certification Model	C2601A
Regulatory Approvals	Emissions: EN 55022: FCC Part 15 Subpart B, ICES-003, CISPR 22, AS/NZS CISPR 22 Immunity: EN 50130-4 Safety: UL60950-1, IEC60950-1 (CB report), IEC60950-22 Environmental: ROHS2, WEEE
Included Accessories	Software CD (including Installation Guide, Configuration Guide, and browser); Quick Start Guide; mounting template; mounting hardware

MOUNTING OPTIONS		
		
Surface Mount (out-of-box)	Wall Mount Back Box	Pole Adaptor Back Box

ORDERING INFORMATION	
<b>CAMERA</b>	
33166-101	ME4 Outdoor IR Bullet Camera with 2.7-12mm lens
33166-102	ME4 Outdoor IR Bullet Camera with 9-22mm lens
<b>ACCESSORIES</b>	
33227	Wall Mount Back Box
33226	Pole Adaptor Back Box

North America . . . . . 1 800 563 5564  
Latin America . . . . . +5255 5259 9511  
Europe . . . . . +39 0362 17935  
Asia . . . . . +65 6818 0963  
Australia and New Zealand . . . . . +61 1300 089 419  
Middle East and Africa . . . . . +971 4 399 5525

© 2017. March Networks, An Infinova Company. All rights reserved. Information in this document is subject to change without notice. MARCH NETWORKS, March Networks Command, March Networks Searchlight, March Networks RideSafe, and the MARCH NETWORKS logo are trademarks of March Networks Corporation. Infinova is a trademark of Infinova Corporation. All other trademarks are the property of their respective owners. 060-3247-00-E [marchnetworks.com](http://marchnetworks.com)

